



MODEL 171H ROUGH-IN HOUSING

FOR USE WITH BROAN MODELS 120F, 124F, 128F, 170F, 174F AND 178F FINISH ASSEMBLIES

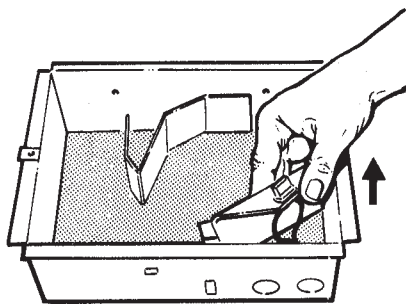
WARNING

1. ALL ELECTRICAL WORK MUST BE DONE IN ACCORDANCE WITH LOCAL OR NATIONAL ELECTRICAL CODE AS APPLICABLE. **FOR SAFETY, THIS PRODUCT MUST BE GROUNDED.** IF YOU ARE UNFAMILIAR WITH METHODS OF INSTALLING ELECTRICAL WIRING, SECURE THE SERVICES OF A QUALIFIED ELECTRICIAN.
2. WHEN WIRING, SERVICING OR CLEANING THIS UNIT, TURN OFF POWER AND LOCK OUT SERVICE PANEL. FAILURE TO DO SO COULD ALLOW OTHERS OR THERMOSTAT TO TURN ON POWER UNEXPECTEDLY WHICH MAY CAUSE FATAL ELECTRICAL SHOCK.
3. To avoid electrical shock:
 - DO NOT install unit in a tub or shower enclosure or any location where it may come in contact with water.
 - NEVER place a switch where it can be reached from a tub or shower.
4. DO NOT install this unit in an area where chemicals or other flammables are stored or used. Explosion and fire may result.

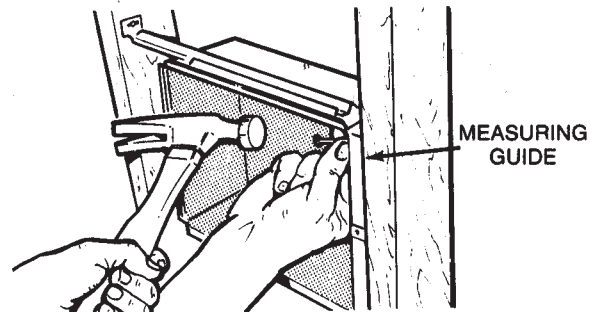
CAUTION

1. This product may ONLY be installed horizontally in a wall. DO NOT MOUNT IN ANY OTHER POSITION.
2. Install heater at least 6" from floor or any adjacent vertical surface.
3. DO NOT locate heater behind a door, furniture, drapes, etc., where the air flow to the unit would be restricted.
4. Provide heater with an appropriately-rated electrical circuit to prevent tripped breakers or blown fuses. (See chart below).
5. DO NOT CONNECT HEATER TO DIMMER SWITCH OR SPEED CONTROL.
6. To avoid motor bearing damage and noisy and/or unbalanced impellers, keep drywall spray, construction dust, etc., off power unit.
7. Please read specification label on product for further information and requirements.

PREPARE THE HOUSING



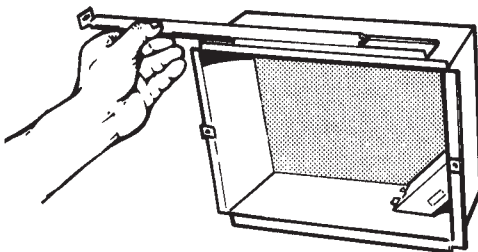
1. Slide the wiring cover out of housing.



2. Use measuring guide on side of housing to position housing so that it will be flush with finished wall. Drive two (2) nails through the holes in side of housing and into stud.

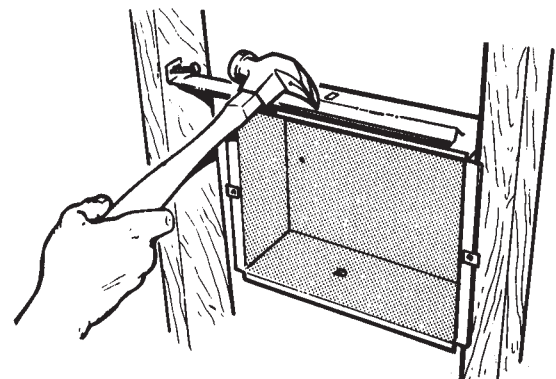
INSTALL THE HOUSING

(16"-ON-CENTER STUDS ONLY)



1. Choose which side of housing will be mounted directly to a wall stud. Then, insert the mounting bracket, from the opposite side, and into the channel at the top of housing.

NOTE: Locate housing at least 6" from the floor and any adjacent walls.



3. Extend mounting bracket, level housing, and nail to other stud.

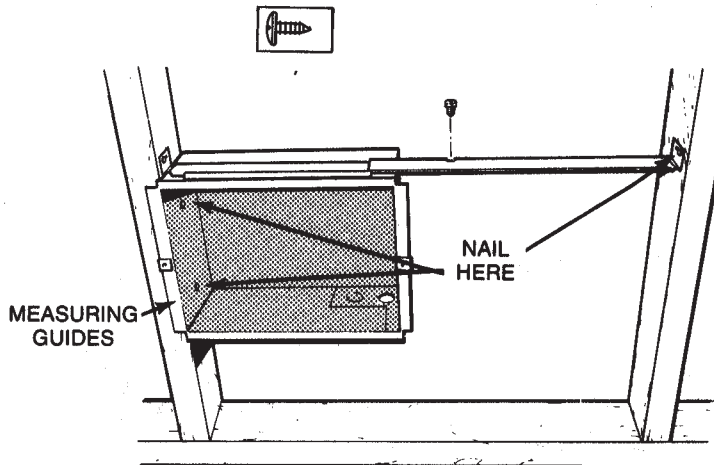
INSTALL THE HOUSING (continued)

BROAN

(24"-ON-CENTER STUDS ONLY)

1. Choose which side of housing will be mounted directly to a wall stud. From this side, push a mounting bracket as far as possible into the channel at the top of housing.

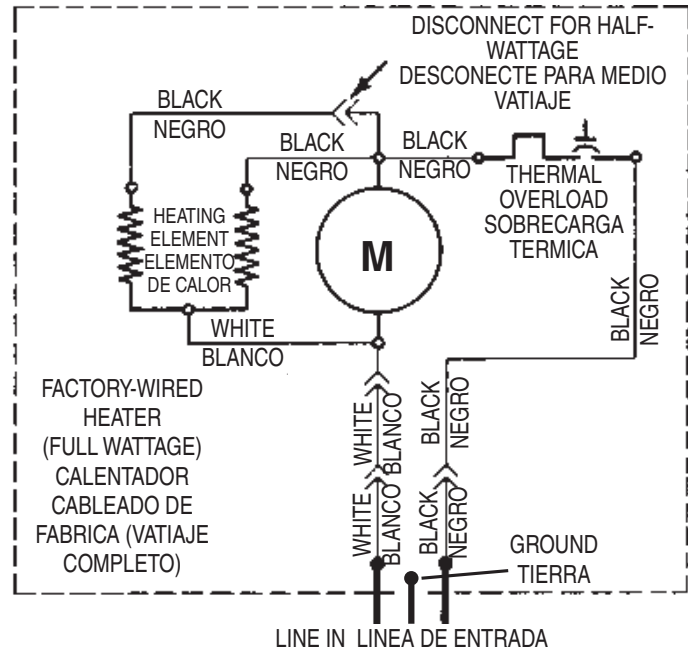
NOTE: Locate housing at least 6" from the floor and any adjacent walls.



2. Use measuring guide on side of housing to position housing so that it will be flush with finished wall. Drive two (2) nails through the holes in side of housing and into stud.
3. Secure the two (2) mounting brackets together (with screw supplied). Level housing and nail to opposite stud, as shown.

WIRE THE HOUSING

(All Installations)



1. Feed electrical power cable through open knockout in corner of housing and attach with appropriate connector. Allow 6" of wire inside of housing.

NOTE: Use other housing knockout when wiring units in parallel.

2. Connect black to black, white to white, and green to green or bare wire. Replace wiring cover.
3. A housing mask has been provided to keep construction dust, drywall spray, paint, etc. from damaging heater.

Bend the flaps on the mask and push it into the heater housing. Remove this mask before installing the finish assembly.

BROAN