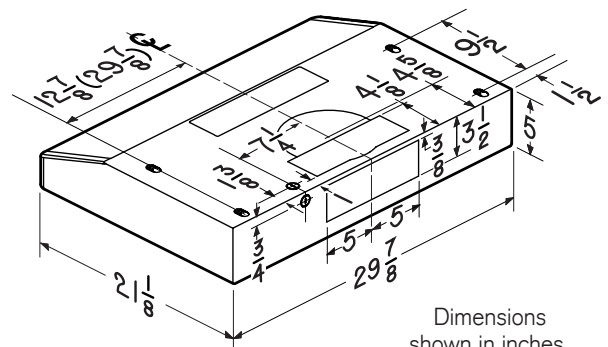
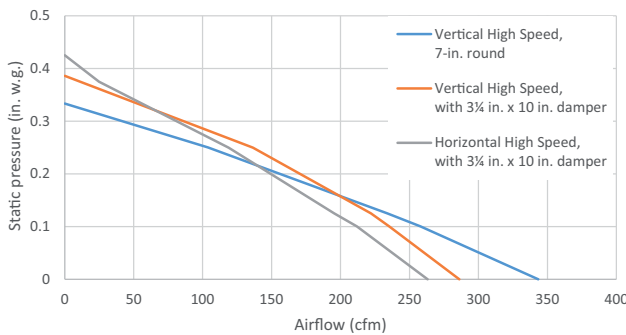


Slim lines and graceful radiused combine to make Tenaya the perfect companion to today's contemporary kitchens. This beautiful design includes halogen lighting to light the cooktop and make cooking a pleasure.

SIZE	BLACK	STAINLESS	WHITE	GREASE FILTER (replacement)	NON-DUCTED FILTER
30 in.	BNSC130BL	BNSC130SS	BNSC130WW	HPFA (Type "A0")	HPF1 (Type "Xa")

PERFORMANCE						
Duct Orientation	Size	Damper	Sones		CFM	
			Normal	High	Normal	High
Vertical - Rectangular	3¼ in. x 10 in.	Included	1.5	5.0	140	230
Horizontal - Rectangular	3¼ in. x 10 in.	Included	1.5	5.0	110	210
Round - Vertical	7 in.	Sold Separately	1.5	5.0	150	250

FEATURES	
Control type	2-speed Rocker
Delay off	no
Filter Clean Reminder	no
Heat Sentry™	no
ADA Capable	yes
Lighting	2-level Halogen (not included)
Grease Filter	Open Mesh (Qty. 1)
Installation Hardware	Standard
ENERGY STAR®	no
Recirculation	Non-ducted filter sold separately
AC INPUT	
120 V, 60 Hz - 1.4 AMPS	
OPTIONAL ACCESSORIES	
7-in. Round Damper	BP87Q
Make-up Air Dampers	MD6TU, MD8TU and MD10TU
MOUNTING HEIGHT	
18 in. to 24 in. from cooktop to bottom of hood	
LIMITED WARRANTY	
1-year	
FOR INDOOR USE ONLY	



Dimensions shown in inches.



HVI-2100 CERTIFIED RATINGS comply with new testing technologies and procedures prescribed by the Home Ventilating Institute, for off-the-shelf products, as they are available to consumers. Product performance is rated at 0.1 in. static pressure, based on tests conducted in AMCA's state-of-the-art test laboratory. Sones are a measure of humanly-perceived loudness, based on laboratory measurements.