

The sculpted lines of Alta™ bring an exciting, new choice to typical range hood shapes. Sophisticated curves and hidden controls offer a beautiful alternative to traditional designs.

SIZE	BLACK	STAINLESS	WHITE	GREASE FILTERS (replacement)	NON-DUCTED FILTERS
30 in.	BQSJ130BL	BQSJ130SS	BQSJ130WW	HPFAMM30 (Type "C1" / "C2")	HPF30 (Type "Xc")
36 in.	BQSJ136BL	BQSJ136SS	BQSJ136WW	HPFAMM36 (Type "D1" / "D2")	HPF36 (Type "Xd")

PERFORMANCE						
Duct Orientation	Size	Damper	Sones		CFM	
			Normal	High	Normal	High
Vertical - Rectangular	3¼ in. x 10 in.	Included	1.5	5.0	140	230
Horizontal - Rectangular	3¼ in. x 10 in.	Included	1.5	5.0	110	210
Round - Vertical	7 in.	Sold Separately	1.5	5.0	150	250

FEATURES	
Control type	2-speed Rocker
Delay off	no
Filter Clean Reminder	no
Heat Sentry™	no
ADA Capable	yes
Lighting	2-level Halogen (included)
Grease Filters	Micro Mesh (Qty. 2)
Installation Hardware	EZ1 Bracket
ENERGY STAR®	no
Recirculation	Non-ducted filters sold separately

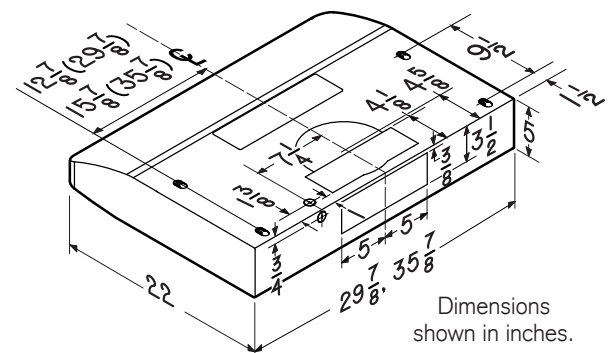
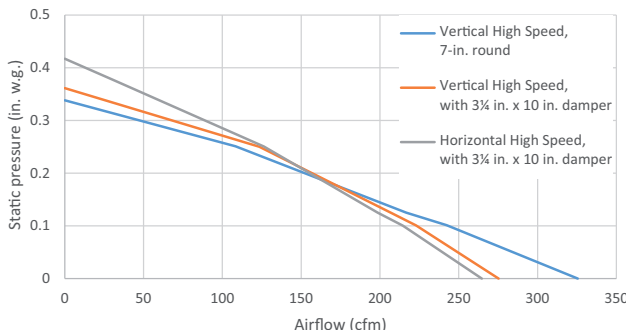
AC INPUT	
120 V, 60 Hz - 1.4 AMPS	

OPTIONAL ACCESSORIES	
7-in. Round Damper	BP87Q
Make-up Air Dampers	MD6TU, MD8TU and MD10TU

MOUNTING HEIGHT	
18 in. to 24 in. from cooktop to bottom of hood	

LIMITED WARRANTY	
1-year	

**FOR INDOOR USE ONLY**



Dimensions shown in inches.

SPECIFICATION SHEET  
**ALTA - BQSJ1 SERIES**



HVI-2100 CERTIFIED RATINGS comply with new testing technologies and procedures prescribed by the Home Ventilating Institute, for off-the-shelf products, as they are available to consumers. Product performance is rated at 0.1 in. static pressure, based on tests conducted in AMCA's state-of-the-art test laboratory. Sones are a measure of humanly-perceived loudness, based on laboratory measurements.