



Broan ERV130FL
Part no. ERV130FLS
 66 to 129 CFM (0.4 in. w.g.)



VB0271

VERSATILE AND DESIGNED WITH THE INSTALLER IN MIND

The ERV130FL was created to respond to the builder's and contractor's needs for new residential construction and regulatory requirements. While reliable and durable, it is a cost-effective solution that can be installed quickly and easily in medium to large-sized homes, thanks to these features:

- Energy recovery core with a sensible recovery efficiency of 75% at 32°F and 14°F
- Pressure taps, balancing dampers and integrated hooks for quick, effective installation
- No drain tubing required
- Magnetic backdraft damper in the fresh air from outside and the exhaust air from building ports
- Flippable for greater installation flexibility
- Can be suspended to the joists OR wall mounted using included brackets
- 6' power cord
- Very quiet operation
- ENERGY STAR® qualified

REPAIRS AND MAINTENANCE

All parts of the ERV130FL can be removed in less than five minutes, allowing direct access for easy repairs. The low power consumption motor is permanently lubricated. Finally, the electronic circuit board eliminates electromechanical parts, reducing repair time to a minimum.

WARRANTY

The ERV130FL is protected by a 5-year warranty on parts. The energy recovery core is covered by a 5-year warranty, with the original proof of purchase.

Available at:

*This product earned the ENERGY STAR® by meeting strict energy efficiency guidelines set by Natural Resources Canada and the EPA. It meets ENERGY STAR® requirements only when used in Canada.

ENERGY RECOVERY VENTILATOR

Controls

- This unit is very simple to operate. Once it is installed, press on the push button located on the front of the electrical box to activate it. Press once for low speed, once again for high speed, and once more to stop it.
- For more convenience, this unit can also be controlled by an optional main control. For a complete list of optional main and auxiliary controls available, refer to the **Wall Control Compatibility Chart** on last pages of wall controls specification sheet, available at www.broan.com.
- For more details about controls, refer to the **Main and auxiliary wall controls** user guide, also available at www.broan.com.

Options

- MERV 8 filters (part no. V65683)
- Complete line of registers and diffusers
- Compatible with the VTY1K1 transition (see *Ventilation Performance* section)

Defrost Cycles (exhaust only defrost)

- Choice of regular or extended defrost cycles, according to climatic conditions.
- To set extended defrost cycle, refer to the manual.

LOW SPEED DEFOST CYCLES			
OUTDOOR TEMPERATURE*		DEFOST IN MINUTES / AIR EXCHANGE IN MINUTES	
°C	°F	REGULAR	EXTENDED
WARMER THAN -12	WARMER THAN 10	NO DEFOST	NO DEFOST
FROM -12 TO -17	FROM 10 TO 1	6/40	12/35
FROM -17 TO -27	FROM 1 TO -17	6/20	12/20
-27 AND LESS	-17 AND LESS	8/12	12/15

HIGH SPEED DEFOST CYCLES			
OUTDOOR TEMPERATURE*		DEFOST IN MINUTES / AIR EXCHANGE IN MINUTES	
°C	°F	REGULAR	EXTENDED
WARMER THAN -12	WARMER THAN 10	NO DEFOST	NO DEFOST
FROM -12 TO -17	FROM 10 TO 1	9/40	12/30
FROM -17 TO -27	FROM 1 TO -17	9/20	12/16
-27 AND LESS	-17 AND LESS	9/12	12/12

*Outdoor temperature is read by a thermistor located inside the unit, next to the fresh air to building port.

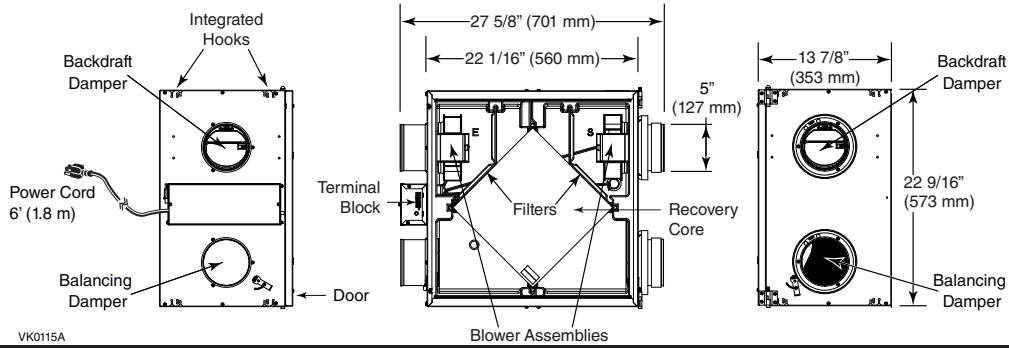
Energy Recovery Core

Dimensions: 12" x 12" x 12" (30.5 cm x 30.5 cm x 30.5 cm)
 Material: Polymerized paper and aluminium
 Type: Crossflow core
 Warranty: 5 years

Requirements and Standards

- Complies with the UL 1812 requirements regulating the installation of Energy Recovery Ventilators
- Complies with the CSA C22.2 no. 113 Standard applicable to ventilators
- Complies with CSA F326 requirements regulating the installation of Energy Recovery Ventilators
- Technical data was obtained from published results of tests relating to CSA C439 Standards
- Can be used to comply with California Title 24 2019 Part 6
- HVI certified and ENERGY STAR® qualified*

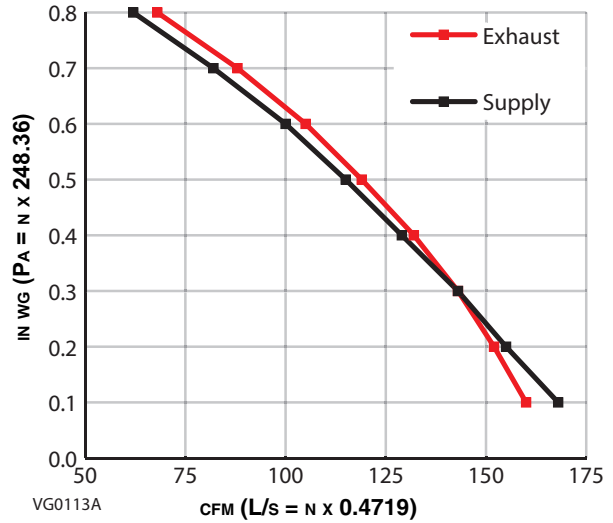
DIMENSIONS: ERV130FL



VENTILATION PERFORMANCE

EXTERNAL STATIC PRESSURE		NET SUPPLY AIR FLOW		GROSS AIR FLOW			
				SUPPLY		EXHAUST	
PA	IN. W.G.	L/S	CFM	L/S	CFM	L/S	CFM
25	0.1	79	168	79	168	76	160
50	0.2	73	155	73	155	72	152
75	0.3	67	142	67	143	67	143
100	0.4	61	129	61	129	62	132
125	0.5	54	115	54	115	56	119
150	0.6	47	100	47	100	49	105
175	0.7	39	82	39	82	41	88
200	0.8	29	61	29	62	32	68

NOTES: Account for an increase in static pressure of approximately 0.2 in. w.g. when installed with the VTY1K1 transition, depending on installation.
All specifications are subject to change without notice.



ENERGY PERFORMANCE

SUPPLY TEMPERATURE		NET AIR FLOW		POWER CONSUMED WATTS	SENSIBLE RECOVERY EFFICIENCY	ADJUSTED SENSIBLE RECOVERY EFFICIENCY	APPARENT SENSIBLE EFFECTIVENESS (DATA NOT CERTIFIED BY HVI)	LATENT RECOVERY/MOISTURE TRANSFER
°C	°F	L/S	CFM					
HEATING								
0	32	30	64	62	75	81	82	67
0	32	55	117	120	70	78	78	60
-10	14	30	64	62	75	79	82	70
-25	-13	30	64	57	60	61	81	51
Cooling					Total recovery efficiency		Adjusted total recovery efficiency	
35	95	30	64	60	60		64	

SPECIFICATIONS AND RATINGS

- Model: ERV130FL
- Part Number: ERV130FLS
- Total Assembled Weight (incl. core): 44 lb (20 kg)
- Shipping Weight : 50.5 lb (23 kg)
- Filters: Merv 6 washable reticulated foam 12" x 12" x 0.5" (30.5 cm x 30.5 cm x 1.3 cm)
- 5" Round Ports
- Housing: Pre-painted steel
- Insulation: Expanded polystyrene
- Mounting: Suspension by chains or wall mount
- Supply & Exhaust Blower Motors: 2 PSC Motors
- Protection type: Thermally protected
- Insulation class: B
- Integrated Control: OFF/Low/High. Other modes available with optional main wall controls.
- Energy Recovery Core:
 - Type: Crossflow
 - Material: Polymerized paper and aluminium
- Unit Electrical Characteristics: 120 volts, 60 Hz, 1.2 amps, 144 watts

Project:	REMARKS
Location:	
Part Number: ERV130FLS	
Quantity:	
Submitted by:	Date:



Broan-NuTone LLC, 926 West State Street, Hartford, WI 53027 (1-877-862-7626)



www.broan.com

ERV130FLd190926